

Product Overview

OniPod Phonebooth transforms open spaces into private sanctuaries built for focus, collaboration and clarity, available in both a sitting and standing option.

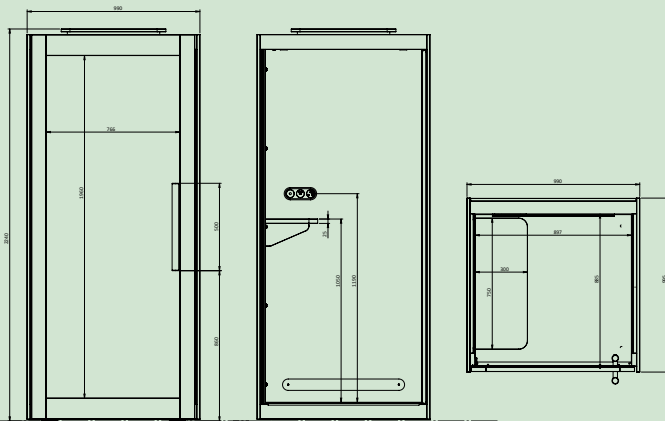
Also available as Phonebooth Plus, the OniPod range brings together refined design and impressive sound insulation to create a calm, distraction-free zone in any busy environment. With a range of contemporary finishes and a focus on user comfort - all at an accessible price point!



Dimensions

EXTERNAL:
W:990 x D:995 x H:2240mm (W:39 x D:39 x H:88in)

INTERNAL:
W:895 x D:880 x H:2020mm (W:35 x D:35 x H:80in)



Recommended minimum ceiling height for installation 2500mm (98in).
(contact us to discuss if the ceiling is lower than 2.5m).

Environmental Summary

Workagile is committed to achieving its ecological targets, through the implementation of Sustainability and Environmental Policies and strategies. We aim to follow and promote good conservation practices, reduce the environmental impacts of all our activities and help our clients to do the same.

This is demonstrated in the following:

- We only use timber which originates from responsibly managed forests.
- Materials purchased have been awarded the FSC certification, showing they are sourced sustainably.
- We use durable materials, so our products last a longer lifetime.
- We design to a modular construction to ensure parts can be replaced or repaired as required, instead of replacing complete units.
- All our products are up to 90% recyclable, minimising plastics where possible.
- Our products are reconfigurable and reusable, ensuring they can easily be moved within spaces or to another location when needed.

Refer to sustainability datasheet for more details.

Electrics

Power

Voltage - 220-240v Wattage - 11.78W
Frequency - 50-60Hz Max current - 13A (UK) / 16A (EU)
Power supply via a UK Standard 3-pin plug or a EUR 2-pin plug (to be specified prior to order placements).
Single power entry point - Cable exit can be configured at the top or bottom during installation.
2 Module Power Unit (1x UK socket, 1x USB-A & 1x USB-C).

Lighting & Ventilation

LED specification - 3000K Warm white light.
PIR sensor with dimmable lighting and adjustable ventilation (available as non-standard).
Adjustable ventilation system operated via PIR (Air circulation 216m³ per hour, 2 fans).
Full air refresh every 95 seconds.

Safety

General

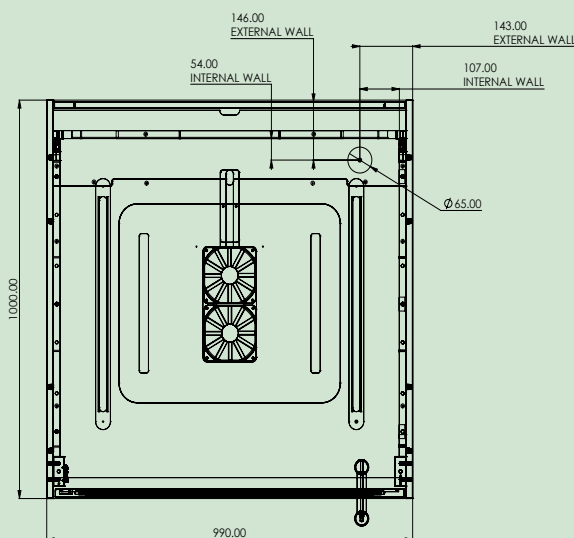
Weight - 260kg (573lbs)

Adjustable feet ensure the pod can maintain a stable position even on irregular surfaces.

Hardened safety glass - 8mm Acoustic Laminated Glass (CE marked)

Sprinklers

In order to meet with fire sprinkler regulations, when required, this product can accommodate a sprinkler head via a cutout. This installation would be managed per project with the Project Manager who will support the link up with the install teams and the sprinkler contractors per site.



Assembly

Can be installed within 60 minutes, minimising disruption to the office & supporting faster project timelines.

Suggested - 1 hour for 2 people.

Guarantee

Non electrical and mechanical components: 5 years,
electrical and mechanical components: 1 year.

See more: <https://work-agile.com/warranty/>

Acoustics

The OniPod Phonebooth achieves up to 28dB sound reduction, ISO 23351-1:2020 tested, Class B rated.

The acoustic performance of an acoustic pod refers to its ability to reduce noise transmission primarily from inside to outside (as conversations/calls are meant to be protected). This noise reduction level can be influenced by external factors such as the surrounding environment, the ambient noise level, the pod's proximity to walls, and similar conditions. It's worth noting, there is often minor noise transmission from the outside to the inside of acoustic pods (assuming a semi-busy/noise level environment) but this is a health & safety bonus for all pod users in the event of a fire alarm or public announcements.

We have designed our acoustic pods in a way to protect speech privacy, maintaining conversation confidentiality and strengthening user focus without external distractions.

Accessories

Standard Accessories

- Fixed perch desk

Stand: W:750 x D:300 x H:1050 mm (W:30 x D:12 x H:41in)

Sit: W:750 x D:300 x H:740 mm (W:30 x D:12 x H:29in)

- No stool included, but available as an optional specification addition.

Full list of optional accessories available within product brochure.

Exterior Finishes

- 4x standard & 4x premium colours (exterior panels).

Interior Finishes

- Standard & Premium carpet - Dark Grey.
- Interior felt walls - Light Grey or Latte.

Product Overview

OniPod Phonebooth Plus transforms open spaces into private sanctuaries built for focus, collaboration and clarity, available in both a sitting and standing option.

Also available as Phonebooth Plus, the OniPod range brings together refined design and impressive sound insulation to create a calm, distraction-free zone in any busy environment. With a range of contemporary finishes and a focus on user comfort - all at an accessible price point!



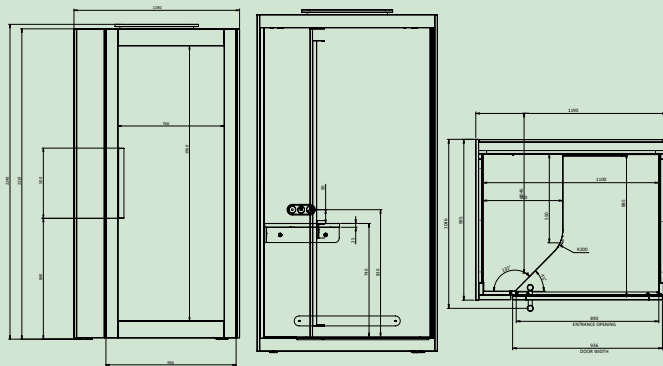
Dimensions

EXTERNAL:

W: 1200 x D: 995 x H: 2240 mm (W: 47 x D: 39 x H: 88 in)

INTERNAL:

W: 1100 x D: 850 x H: 2020 mm (W: 43 x D: 36 x H: 80 in)



Recommended minimum ceiling height for installation 2500mm (98in).
(contact us to discuss if the ceiling is lower than 2.5m).

Environmental Summary

Workagile is committed to achieving its ecological targets, through the implementation of Sustainability and Environmental Policies and strategies. We aim to follow and promote good conservation practices, reduce the environmental impacts of all our activities and help our clients to do the same.

This is demonstrated in the following:

- We only use timber which originates from responsibly managed forests.
- Materials purchased have been awarded the FSC certification, showing they are sourced sustainably.
- We use durable materials, so our products last a longer lifetime.
- We design to a modular construction to ensure parts can be replaced or repaired as required, instead of replacing complete units.
- All our products are up to 90% recyclable, minimising plastics where possible.
- Our products are reconfigurable and reusable, ensuring they can easily be moved within spaces or to another location when needed.

Refer to sustainability datasheet for more details.

Electrics

Power

Voltage - 220-240v Wattage - 11.78W
Frequency - 50-60Hz Max current - 13A (UK) / 16A (EU)
Power supply via a UK Standard 3-pin plug or a EUR 2-pin plug (to be specified prior to order placements).
Single power entry point - Cable exit can be configured at the top or bottom during installation.
2 Module Power Unit (1x UK socket, 1x USB-A & 1x USB-C).

Lighting & Ventilation

LED specification - 3000K Warm white light.
PIR sensor with dimmable lighting and adjustable ventilation (available as non-standard).
Adjustable ventilation system operated via PIR (Air circulation 220m³ per hour, 2 fans).
Air circulation Flow 216m³ per hour = 107 ACH (Air Changes per Hour) = Air replaced every 34 seconds

Safety

General

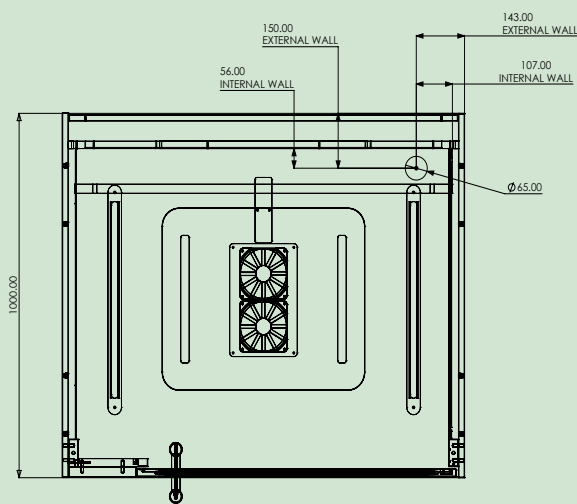
Weight - 290kg (639 lbs)

Adjustable feet ensure the pod can maintain a stable position even on irregular surfaces.

Hardened safety glass - 8mm Acoustic Laminated Glass (CE marked)

Sprinklers

In order to meet with fire sprinkler regulations, when required, this product can accommodate a sprinkler head via a cutout. This installation would be managed per project with the Project Manager who will support the link up with the install teams and the sprinkler contractors per site.



Assembly

Can be installed within 60 minutes, minimising disruption to the office & supporting faster project timelines.

Suggested - 1 hour for 2 people.

Guarantee

Non electrical and mechanical components: 5 years,
electrical and mechanical components: 1 year.

See more: <https://work-agile.com/warranty/>

Acoustics

The OniPod Phonebooth Plus achieves up to 28dB sound reduction, ISO 23351-1:2020 tested, Class B rated.

The acoustic performance of an acoustic pod refers to its ability to reduce noise transmission primarily from inside to outside (as conversations/calls are meant to be protected). This noise reduction level can be influenced by external factors such as the surrounding environment, the ambient noise level, the pod's proximity to walls, and similar conditions. It's worth noting, there is often minor noise transmission from the outside to the inside of acoustic pods (assuming a semi-busy/noise level environment) but this is a health & safety bonus for all pod users in the event of a fire alarm or public announcements.

We have designed our acoustic pods in a way to protect speech privacy, maintaining conversation confidentiality and strengthening user focus without external distractions.

Accessories

Standard Accessories

- Fixed perch desk
W: 850 x D: 500 x H: 741 mm (W: 33 x D: 20 x H: 29 in)
- No stool included, but available as an optional specification addition.

Full list of optional accessories available within product brochure.

Exterior Finishes

- 4x standard & 4x premium colours (exterior panels).

Interior Finishes

- Standard & Premium carpet - Dark Grey.
- Interior felt walls - Light Grey or Latte.