

# workagile

MAKING SPACES AGILE



Nimble

[work-agile.com](http://work-agile.com)



# Making spaces agile

Born out of two decades of manufacturing bespoke reception areas, Workagile was created to design workplace furniture that explores the relationship between staff wellbeing and productivity.

With strong emphasis on the need for adaptability in today's ever-evolving workplaces, we conceive innovative designs that encourage

communication, collaboration and creativity around the world.

We believe that a truly agile workplace will always provide choice and our ethos is all about creating spaces that offer just that; this is how we thrive in making spaces agile.

Agile working is all about creating a space that provides choice



## Multi-purpose functionality

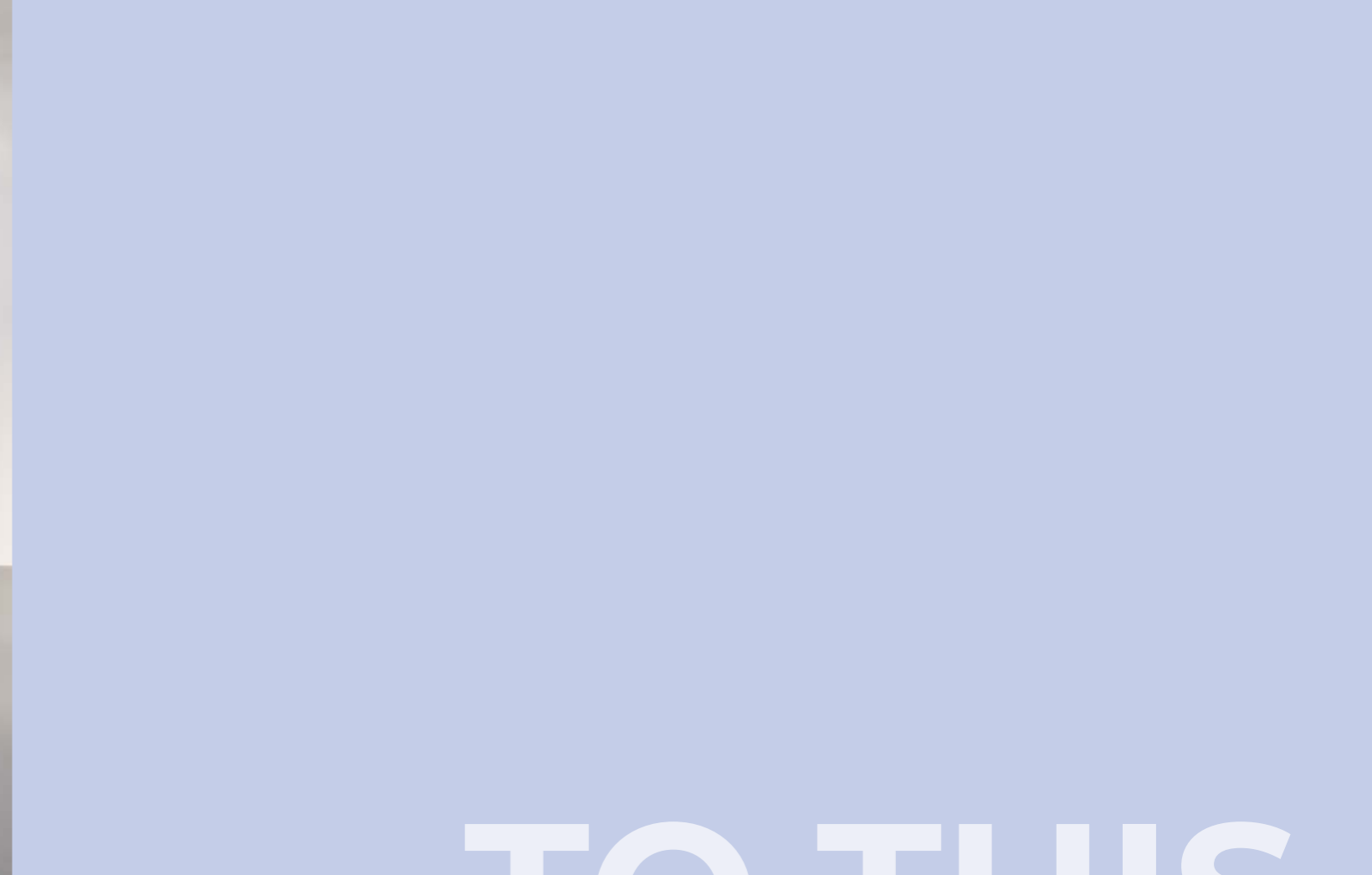
Nimble is a unique and functional folding table that is designed to bring flexibility into any setting or meeting room.

Featuring a premium writable surface as a table-top option, you can quickly transform your table into a presentation board. Transform your meeting room into a presentation space in seconds.

MULTI-PURPOSE



FROM THIS



TO THIS





# Cutting edge creations

---

Unique elliptical frame and gravity-assisted opening mechanism makes the Nimble table easy to manoeuvre and deploy, so that any member of staff can handle it.

Large castors makes it easy to manoeuvre and negotiate small bumps ie. between rooms, into lifts. Incorporating a range of table-top shape options to suit your project or space.

---





Let's play

## Dynamic design

Nimble is perfect for a wide range of spaces, and can be easily used as a meeting room table, project bench, collaboration table, and even looks the part in the boardroom.

Choose from a wide range of table top options from laminates to Fenix, or even a writable table surface! 6 standard frame colours to match your design style or theme.

# It's all in the detail

Look closely and you'll see the attention to detail that goes into all our products

*Connecting twist clips under the top hold the table in place when in use*



*Unique elliptical 60 x 30mm steel support frame for peak robustness & stability*

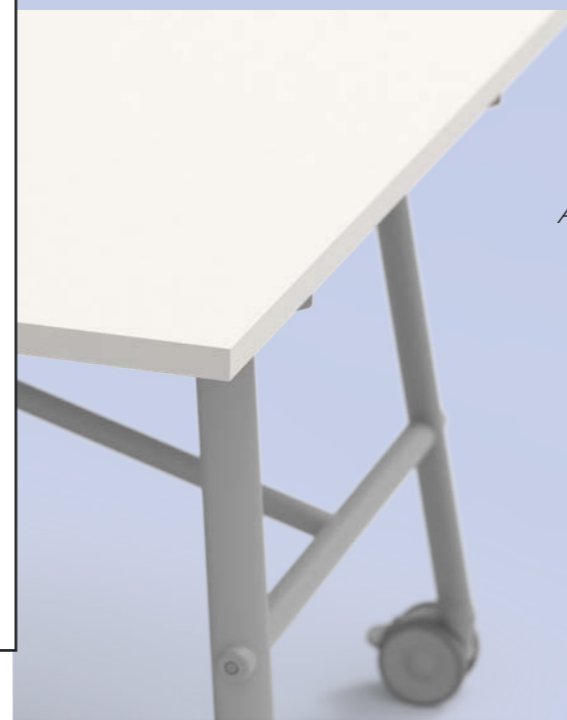


*Safety pin system keeps table folded securely. Simply release to unfold for quick & easy use*

*Provision for additional electrical or multimedia options, including cable entry module*

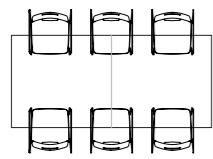
*Non-marking 100mm rubber swivel castors allow for smooth, simple movement*

*All table sizes are available with either squared or rounded corners*

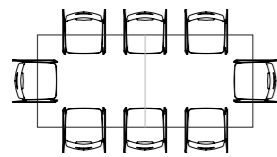


# Example configurations

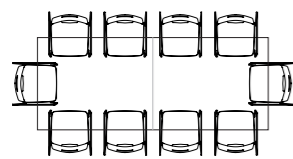
Nimble Squar e 2600\*1200\*18



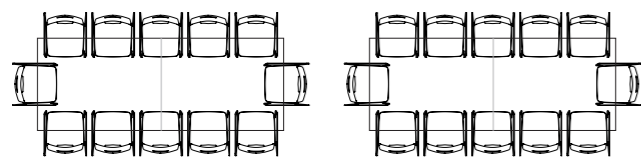
Nimble Square 2800\*1200\*18



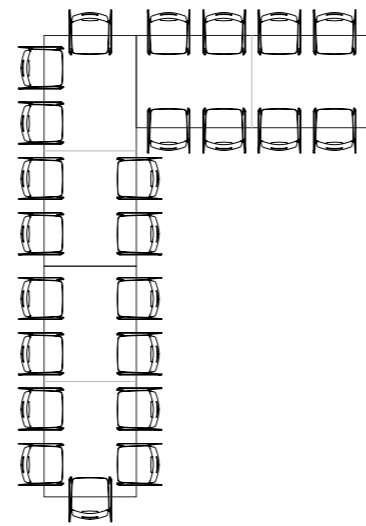
Nimble Squar e 3000\*1200\*18



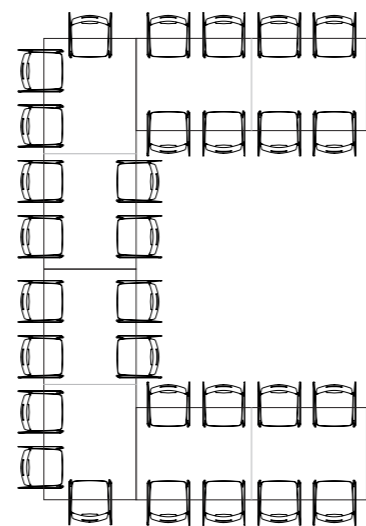
Nimble Squar e 3200\*1200\*18



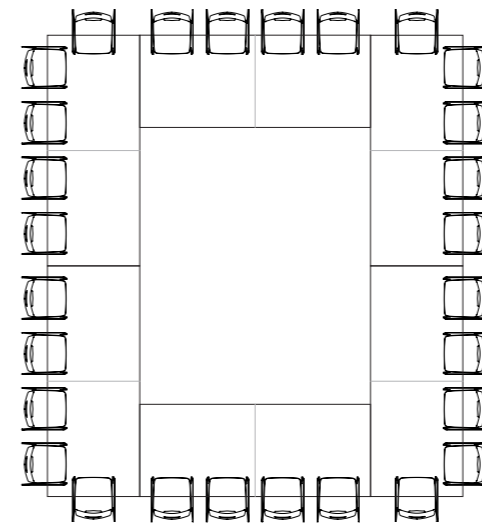
Nimble Squar e 3000\*1200\*18



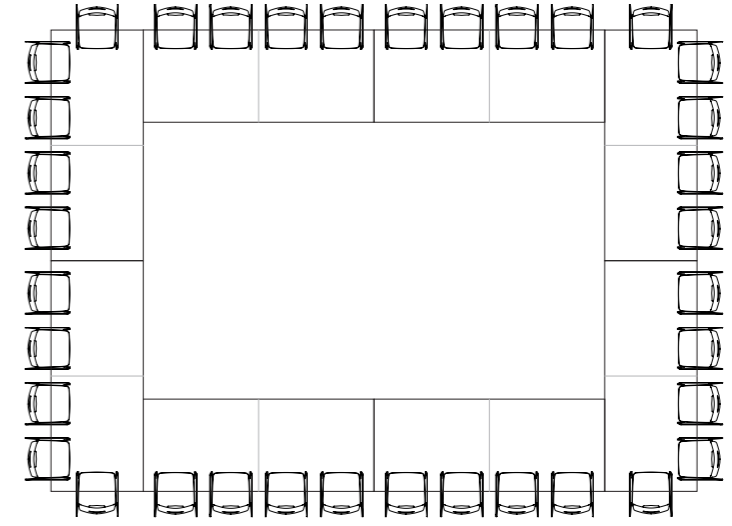
Nimble Squar e 3000\*1200\*18



Nimble Squar e 3000\*1200\*18



Nimble Squar e 3000\*1200\*18





# Sizes & Shapes

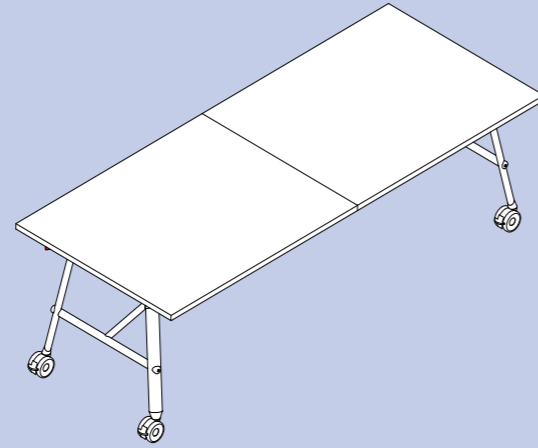
## Nimble Straight

### 1m width

2400 x 1000 x 750  
2800 x 1000 x 750  
3000 x 1000 x 750

### 1.2m width

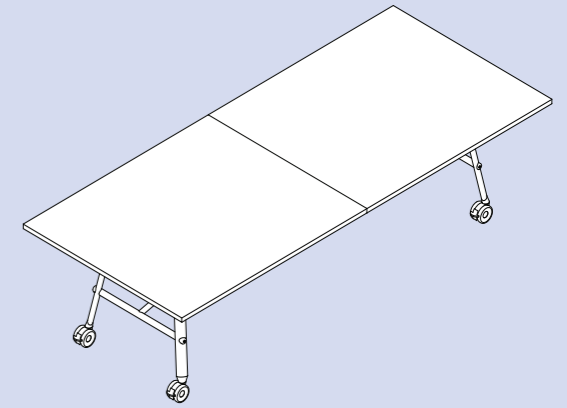
2400 x 1200 x 750  
2800 x 1200 x 750  
3000 x 1200 x 750



## Nimble Straight with Wider Tabletop

### One size available (MM)

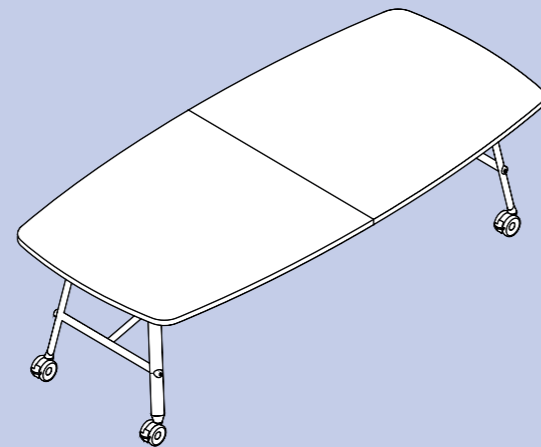
2400 x 1400 x 750



## Nimble Curved

### Available in Multiple Sizes (MM)

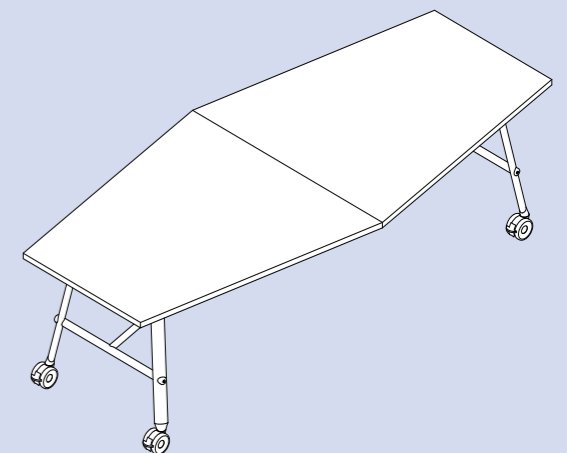
2600 x 1200 x 750  
3000 x 1200 x 750  
3000 x 1200 x 750  
3200 x 1200 x 750



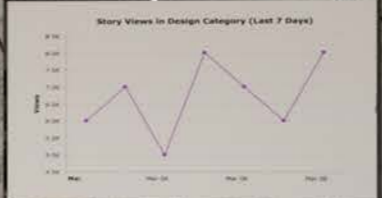
## Nimble Angled

### Available in Multiple Sizes (MM)

2400 x 1200 x 750  
2800 x 1200 x 750  
3000 x 1200 x 750



All tables available with Round Corners

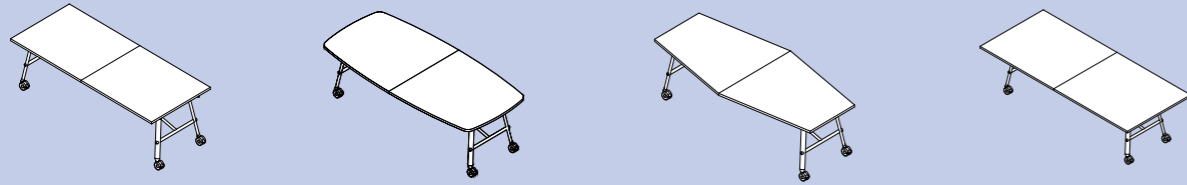


Even looks the part  
in the boardroom!

## Specify Your Nimble Folding Table

Follow our guide to customise our products to suit your space

Choose the appropriate table size and shape.



Choose the appropriate table corner shape. All tables sizes are available with either a squared or rounded corners



### Frame Options

Standard colours



New Frame Special Colours For 2022



### Work Surface Options

Laminate tabletop finish options



Fenix tabletop finish options



### Writeable Work Surface Options

Writeable tabletop finish option



Writeable & Magnetic tabletop finish option

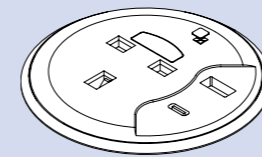


## Choose Your Appropriate accessories & power modules



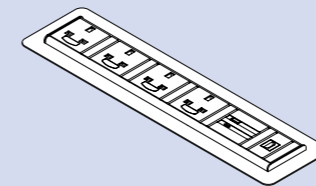
### Accessories

Products	Code
Set of 2 Linking clips	651-2014
Cable Sock (Fabric Band 1)	651-2015



### Power Modules

Power Modules	Code
2 x UK Power Socket	601-2001
2 x UK Power Socket, 2 x USB Outlet	601-2002
2 x UK Power Socket, 1x HDMI & 1 x USB Outlet	601-2003
4 x UK Power Socket	601-2004
4 x UK Power Socket, 4 x USB Outlet	601-2005
4 x UK Power Socket, 1x HDMI & 1 x USB Outlet	601-2006
1.5M Connection Cable	601-2008
2M Connection Cable	601-2009
3M Starter Power Cable	601-2010
Cable Hook	601-2012
Power Module Cut Out	601-2013





think different

WORKSPACE



## Approaching Salutogenesis

Salutogenesis is a medical approach focusing on factors that support health and well-being; an approach at the heart of our work in today's evolving workplaces.

The term itself means 'sources of health' and originates from the Latin word 'salus' (health) and the Greek word 'genesis' (source).

# AS NATURE INTENDED

We only use timber from sustainable sources, certified by the Forestry Stewardship Council (FSC®) and Programme for the Endorsement of Forest Certification (PEFC).

Our environmental management is evidenced by our ISO 14001 accreditation, as well as our partnerships with the FISP and the World Land Trust, planting a tree with every order received.





# A Sustainable, Flexible & Multi-use Co-working Space for Barking Riverside

**T**he Wilds Ecology Centre is a beautiful multi-purpose community, ecology and events space located at Barking Riverside, London.

The centre covers two floors, 9,000 square feet of space and has been architecturally developed as part of the Barking Riverside multi-use regeneration project.

Rhino Interiors were selected and tasked to transform the centre into a post-covid multi-use space for the residents within the Barking Riverside area, Participatory City, University of East London (UEL) and ENVAC to use and enjoy.

Rhino Interiors, an office fit-out and refurbishment contractor specialists in bespoke, high-quality fit-out and interiors, proposed a multi-use space that included an entrance area with a café along with flexible and agile spaces elsewhere.

As the building is rated BREEAM excellent, Rhino Interiors adopted a sustainable approach by utilising and carefully selecting biophilic, flexible, recyclable, and sustainable furniture and materials to resonate with the ecological theme.

Rhino Interiors selected to collaborate with Workagile on this project to create a flexible, and agile environment that suited the ecological theme Rhino Interiors proposed.

The collaboration between Workagile and Rhino Interiors ensured that the Wilds Ecology Centre was provided with agile folding tables designed with a Salutogenic approach and manufactured from sustainable resources.

Find out more about the benefits of salutogenic designs, and Workagile's commitment to the environment.

The Nimble folding table was chosen as one of their preferred tables as the project required large meeting tables that can be folded and easily manoeuvred to store away for which the Nimble specifically catered.

The multi-functionality and flexibility of the Nimble folding table enabled Rhino Interiors to provide the Wilds Ecology centre with a multi-functional and agile space.



Explore our website to discover our other agile furniture solutions.



# workagile

MAKING SPACES AGILE



## UK

Ground Floor, Westmead, Aylesford,  
Maidstone, Kent, ME206XJ

[london@work-agile.com](mailto:london@work-agile.com)

**020 3904 6688**

## USA

2149 Avon Industrial Dr,  
Rochester Hills, MI 48309

## France

13 rue Louis Aragon, ZI La Vignasse,  
07800 La Voulte sur Rhône

## Germany

Auf der Landeskronen 2,  
57234 Wilnsdorf

